



The Conveyor Oven

Refined for superior performance.



Cooks with Ovention Quality & Precision

Intuitive One-Touch Display

- Easy to operate
- Easy to adjust cook settings
- Easy to customize cook settings
- Easy to train for optimal use
- Easy USB menu upload capability

Two Sizes

- 20" standard cooking cavity
- 26" extra large cooking cavity

Superior Cooking Control

- Refined airflow & heat control
- Up to 36 cook settings
- Customizable menus
- No microwaves

Reduced Energy Costs

- Ventless operation
- Reduced air extraction / HVAC costs

Ovention Reliability & Support

Ovention Conveyor Ovens: Expect the Unexpected!

Ovention Conveyor 2000 Specifications

Height: 20.25" (514.35 mm)
Width: 48.1" (1,221.74 mm)
Depth: 36.22" (919.98 mm)
Oven Weight: 226 lbs.

Power:	1 Phase 60 Hz	3 Phase 60 Hz
Operating Voltage:	208V / 240V	208V / 240V
Plug:	NEMA 6-50P	NEMA 15-50P
Cord Length:	72"	72"
Max Current Draw (per phase):	44/49 A	34 A
Watts:	9.2 kW/11.8 kW	12.6 kW/14.7 kW

Ventilation:

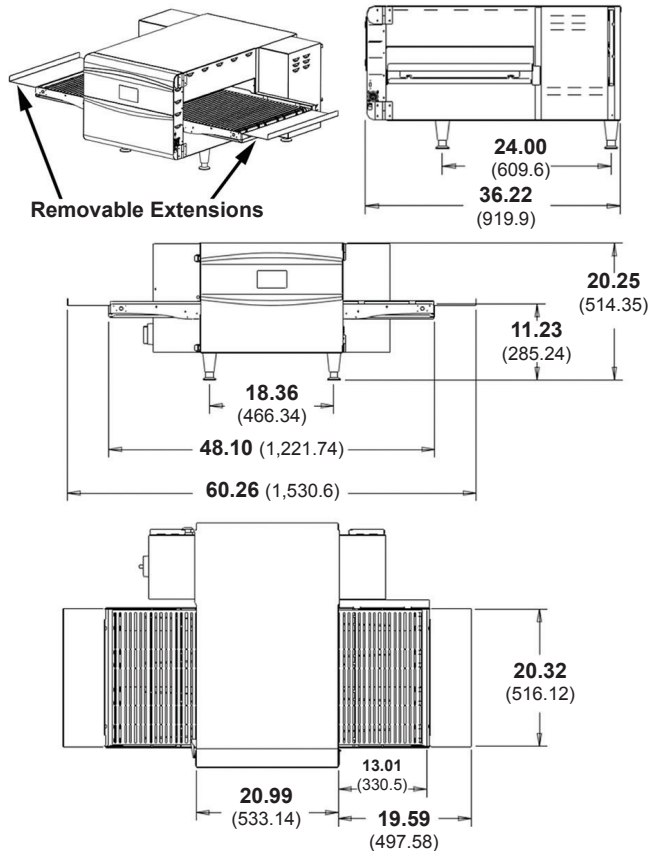
UL197 (KNLZ) listed for ventless operation
 EPA202 Tested from Section 59 of UL710B (8 hr)

Product: Pepperoni Pizza

Results: 2.01 mg/m³

Internal catalytic filtration to limit smoke, grease, and odor emissions

Measurement Units: Inches (Millimeters)

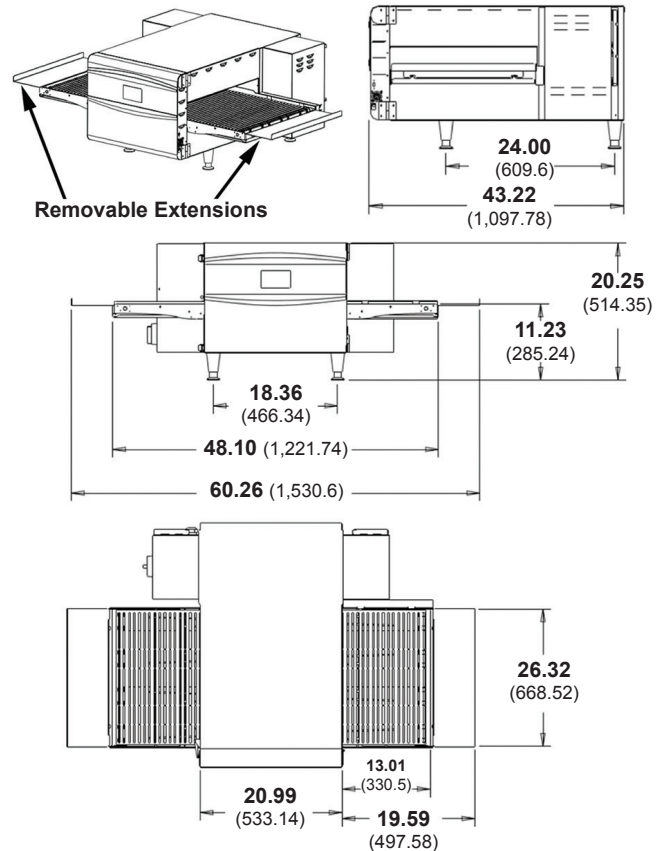


Ovention Conveyor 2600 Specifications

Height: 20.25" (514.35 mm)
Width: 48.1" (1,221.74 mm)
Depth: 43.22" (1,097.78 mm)
Oven Weight: 266 lbs.

Power:	3 Phase 60 Hz
Operating Voltage:	208V / 240V
Plug:	NEMA 15-50P
Cord Length:	72"
Max Current Draw (per phase):	37A
Watts:	14.1/18.7 kW
Belt Options:	50/50: 12.5" x 12.5" 70/30: 17" x 8"

Measurement Units: Inches (Millimeters)



OVENTION, INC.

635 South 28th Street • Milwaukee, Wisconsin 53215

Call Toll Free 855.298.OVEN • www.OventionOvens.com • Email: connect@OventionOvens.com