

Project: _____

Item No: _____

Quantity: _____

The Conveyor 2000-1ph Oven



STANDARD FEATURES

- Independently controlled top and bottom blowers w/ speeds up to 741 CFM (ft³/min)
- Quiet work environment – maximum (dB) of 72
- Cool-to-the-touch exterior
- Reduced energy consumption (documentation available)
- Less impact on HVAC costs (documentation available)
- Precision Impingement™ utilizes hot air for a fast, high-quality cook without microwaves
- Warranty - 1 year parts and labor
- Includes (2) 6" end stops. Larger extensions available to accommodate a full-size sheet pan

OPERATION

- Intuitive, one-touch display
- Easy to program up to 36 conveyor presets
- Operationally friendly with front screen
- USB port – upload and download recipes, view cook logs, diagnostic mode

PERFORMANCE

- Cook 80 pizzas per hour in conveyor mode (10" pie, product dependent)
- Fits up to 18" pizza or a full size sheet pan
- Simulates ability to grill, roast, bake, steam, broil, and air fry
- Use any oven-safe pans. Specialty pans available
- 50/50 Split belt option available

CONSTRUCTION

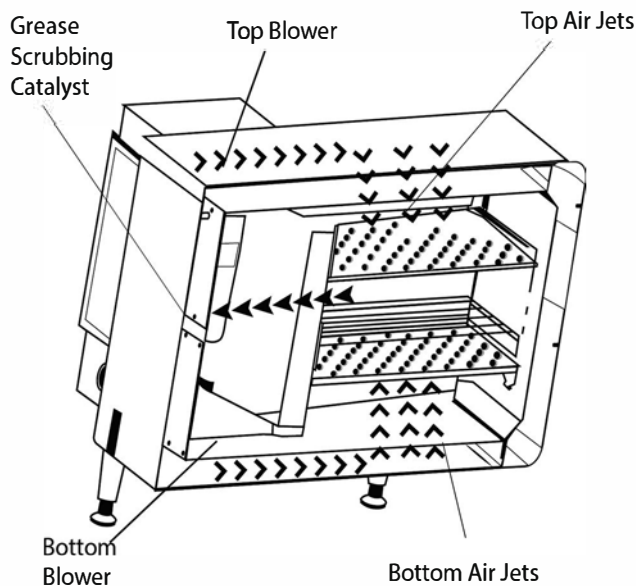
- 301 stainless steel interior
- 430 stainless steel exterior
- Easy to clean design (filters and jet plates are dishwasher safe)

VENTILATION

- UL listed for operation without a Type 1 hood in accordance with EPA 202 test
- UL listed for multiple stacking configurations
- Performs 2.5x better than the required UL grease emissions standard

MORE AIR = BETTER QUALITY, FASTER

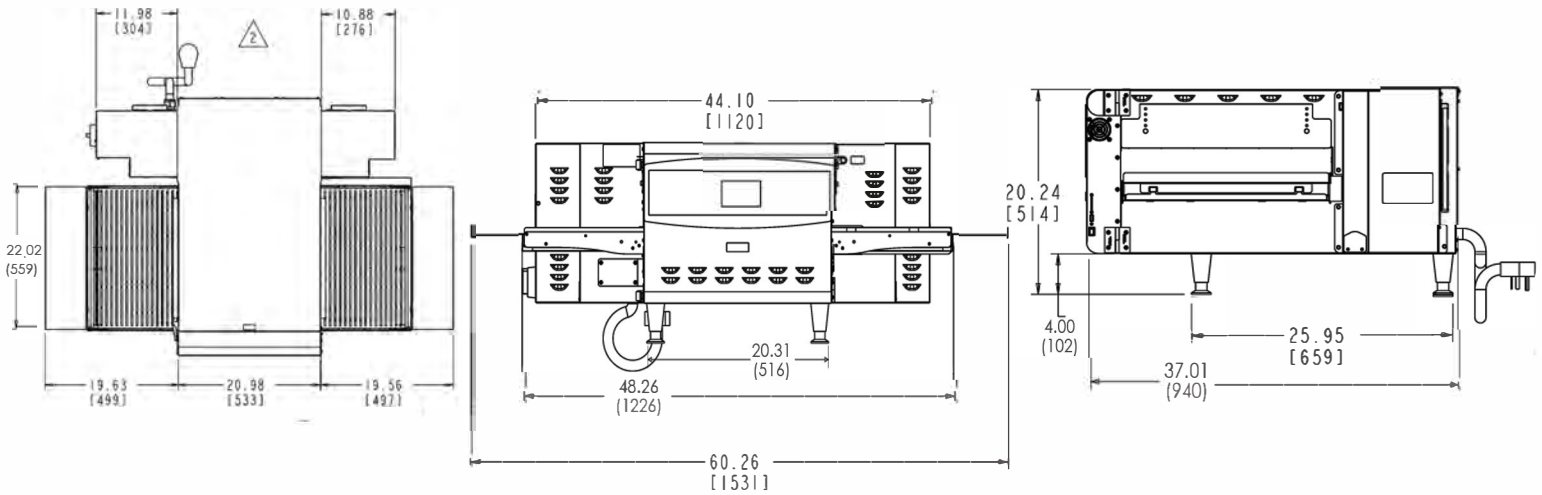
Patented air flow technology means 3x more air than traditional impingement.



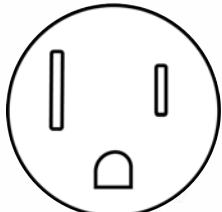
PROUDLY MADE IN THE USA



The Conveyor 2000-1ph Oven



Measurement Units: Inches (Millimeters)

DIMENSIONS			ELECTRICAL SPECIFICATIONS		
Height	16.24"	413 mm	Temperature Range	82-550°F	28-288°C
With Legs	20.24"	514 mm	Voltage	208/240 VAC	 <p>NEMA 6-50</p>
Width	48.26"	1226 mm	Watts	9.2kW/11.8kW	
Depth	37.01"	940 mm	Amperage	44/49 Amp	
Weight	226 lbs.	102.5 kg	Phase	1 ph	
Minimum Clearance	0" Top	0 mm Top	Frequency	60Hz	
	2" Back	51 mm Back	Cord Length	72"	
	0" Side	0 mm Side	SHIPPING SIZE		
OVEN CAVITY DIMENSIONS			Cube (L x W x H)	68" x 41" x 31"	727 mm x 1041 mm x 787 mm
Height	3.5"	89 mm	Shipping Weight	313 lbs.	142 kg
Width	20"	508 mm	Freight Class	175	
Depth	21"	533 mm	FOB	Sturgeon Bay, Wisconsin, USA	

*If units are stacked, 6" (152 mm) back clearance needed

PROUDLY MADE IN THE USA