

Project: _____

Item No: _____

Quantity: _____

The Single MiLO[®]-14 Oven

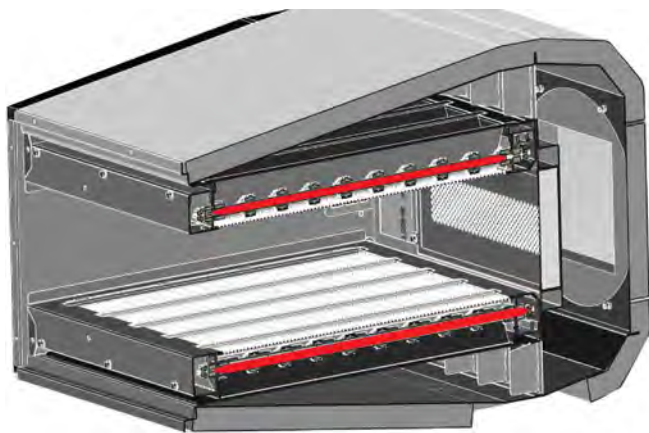


<h3>STANDARD FEATURES</h3> <ul style="list-style-type: none"> • Revolutionary new technology of Decoupled Air & Infrared (IR) • Patented streamlined airflow design maximizes transfer of IR energy • Touch screen display with security passcode and countdown timer • Cooking cavity illuminates while in operation for a theatrical experience • Warranty - 1 year parts and labor • Energy efficient • Active venting feature allows for removal of humidity in cook cavity for crisper product • Variable cavity temperature between cooks • Quiet operation at only 68 dB
--

AIR + IR = SUPERIOR PRODUCT

Quality food products.
One-of-a-kind artisan finish.

<h3>OPERATION</h3> <ul style="list-style-type: none"> • USB port - upload and download recipes, view cook logs, diagnostic mode • 1,000+ recipes • Independently controlled Decoupled Air and IR for each cook stage for optimal product finish • Touch screen display with security passcode



<h3>PERFORMANCE</h3> <ul style="list-style-type: none"> • Capacity: optimally fits up to a 14" pizza or 1/4 size sheet pan • Grill, roast, bake, steam, broil, and air fry • Use any oven-safe pans. Accessory pans available for scoring products or cooking specialty menu items

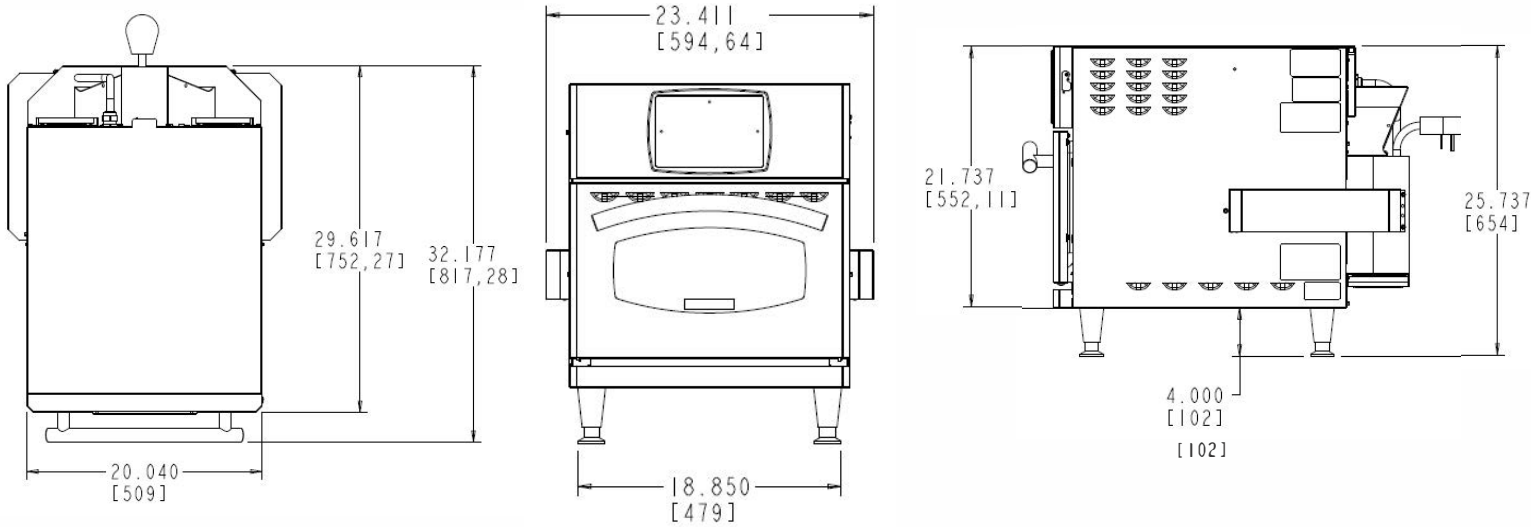
<h3>CONSTRUCTION</h3> <ul style="list-style-type: none"> • 304 stainless interior, 430 stainless exterior • Easy to clean design: Filters are dishwasher safe, crumb and grease trays are removable and jet plates tilt for easy cleaning

<h3>VENTLESS</h3> <p>UL Certified for ventless operation</p>
--

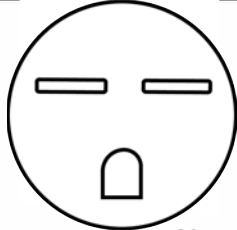
PROUDLY MADE IN THE USA



The Single MiLO®-14 Oven



Measurement Units: Inches (Millimeters)

DIMENSIONS			ELECTRICAL SPECIFICATIONS		
Height	21.7"	552 mm	Temperature Range	82-600 °F	28-316 °C
With Legs	25.7"	654 mm	Voltage	208-240 VAC	 <p>NEMA 6-30</p>
Width	23.4"	595 mm	Watts	7.2 kW	
Depth	32.2"	817 mm	Amperage	27.2-29.8 Amp	
Weight	163 lb	74 kg	Phase	1 ph	
Minimum Clearance	0" Top	0 mm	Frequency	60 Hz	
	0" Back	0 mm	Cord Length	72"	1829 mm
	0" Sides	0 mm	SHIPPING SIZE		
OVEN CAVITY DIMENSIONS			Cube (L x W x H)	38"x34"x38"	965mmx864mmx965
Height	4"	102 mm	Shipping Weight	205 lbs	93 kg
Width	15.5 "	394 mm	Freight Class	175	
Depth	14.3"	363 mm	FOB	Sturgeon Bay, Wisconsin, USA	

PROUDLY MADE IN THE USA