

Project: _____

Item No: _____

Quantity: _____

The Matchbox 360-14 Oven



MORE AIR = BETTER QUALITY, FASTER

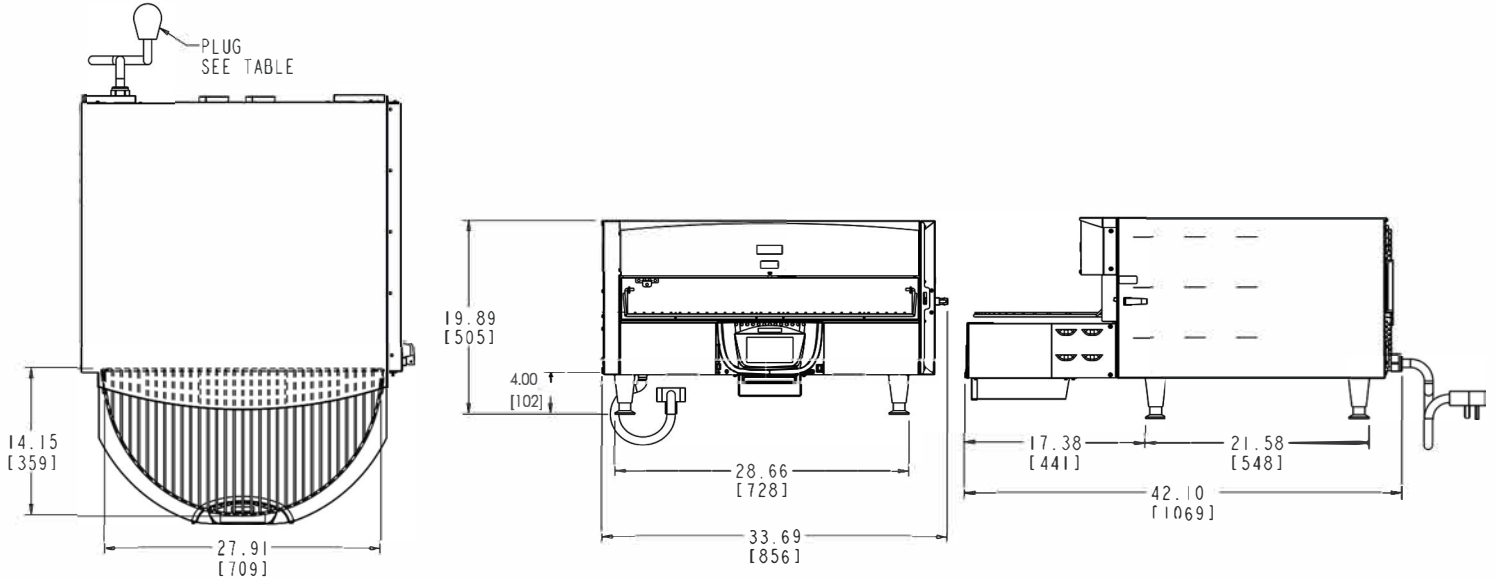
Patented air flow technology means 3x more air than traditional impingement.

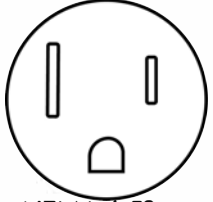
<p>STANDARD FEATURES</p> <ul style="list-style-type: none"> • Independently controlled top and bottom blowers w/ speeds up to 1100 CFM (ft³/min) • Cool-to-the-touch exterior • Reduced energy consumption (documentation available) • Less impact on HVAC costs (documentation available) • Precision Impingement™ utilizes hot air for a fast, high-quality cook without microwaves • FlexTemp technology changes cavity temperature by up to +/- 25°F between cook cycles • Load and unload food automatically • Warranty - 1 year parts and labor
<p>OPERATION</p> <ul style="list-style-type: none"> • Touch screen display with security passcode and countdown timer • Holds up to 600 multistage recipes • USB port – upload and download recipes, view cook logs, diagnostic mode
<p>PERFORMANCE</p> <ul style="list-style-type: none"> • Capacity: fits up to a 14" pizza, (2) 12-inch pizzas, or (5) 7-inch pizzas • Grill, roast, bake, steam, broil, and fry • Use any oven-safe pans. Specialty pans available
<p>CONSTRUCTION</p> <ul style="list-style-type: none"> • 301 stainless steel interior • 430 stainless steel exterior • Easy to clean design (filters and jet plates are dishwasher safe) • Decorative shrouds available
<p>VENTILATION</p> <ul style="list-style-type: none"> • UL listed for operation without a Type 1 hood in accordance with EPA 202 test • Performs 2.5X better than the required UL grease emissions standard

PROUDLY MADE IN THE USA



The Matchbox 360-14 Oven



DIMENSIONS			ELECTRICAL SPECIFICATIONS		
Height	15.9"	405 mm	Temperature Range	82-525°F	28-274°C
With Legs	19.9"	505 mm	Voltage	208/240 VAC	 NEMA 6-50
Width	33.7"	856 mm	Watts	8250 W	
Depth	42.1"	1069 mm	Amperage	32/36 Amp	
Weight	211 lbs.	84 kg	Phase	1 ph	
Minimum Clearance	0" Top	0 mm Top	Frequency	60Hz	
	2" Back	51 mm Back	Cord Length	72"	1829 mm
	0" Side	0 mm Side	SHIPPING SIZE		
OVEN CAVITY DIMENSIONS			Cube (L x W x H)	49" x 40" x 32"	81 mm x 102 mm x 125 mm
Height	3.5"	89 mm	Shipping Weight	275 lbs.	124.7 kg
Width	14.2"	359 mm	Freight Class	125	
Depth	27.9"	709 mm	FOB	Sturgeon Bay, Wisconsin, USA	

PROUDLY MADE IN THE USA