

Project: _____

Item No: _____

Quantity: _____

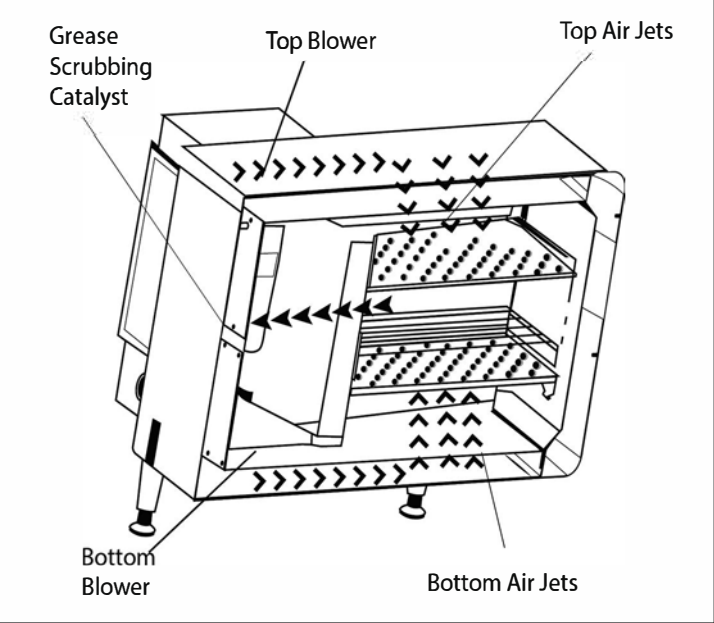
The Conveyor 2600 Oven



<p>STANDARD FEATURES</p> <ul style="list-style-type: none"> • Independently controlled top and bottom blowers w/ speeds up to 741 CFM (ft³/min) • Quiet work environment – maximum (dB) of 72 • Cool-to-the-touch exterior • Reduced energy consumption (documentation available) • Less impact on HVAC costs (documentation available) • Precision Impingement™ utilizes hot air for a fast, high-quality cook without microwaves • Warranty - 1 year parts and labor • Includes (2) 6" end stops. Larger size available
<p>OPERATION</p> <ul style="list-style-type: none"> • Intuitive, one-touch display • Easy to program up to 36 conveyor presets • Operational friendly with front screen • USB port – upload and download recipes, view cook logs, diagnostic mode
<p>PERFORMANCE</p> <ul style="list-style-type: none"> • Cook 80 pizzas per hour in conveyor mode (12" pie, product dependent) • Fits up to 24" pizza, full size sheet pan • Simulates ability to grill, roast, bake, steam, broil, and fry • Use any oven-safe pans. Specialty pans available • Multiple split belt options available
<p>CONSTRUCTION</p> <ul style="list-style-type: none"> • 301 stainless steel interior • 430 stainless steel exterior • Easy to clean design (filters and jet plates are dishwasher safe)
<p>VENTILATION</p> <ul style="list-style-type: none"> • UL listed for operation without a Type 1 hood in accordance with EPA 202 test • UL listed for multiple stacking configurations • Performs 2.5x better than the required UL grease emissions standard

MORE AIR = BETTER QUALITY, FASTER

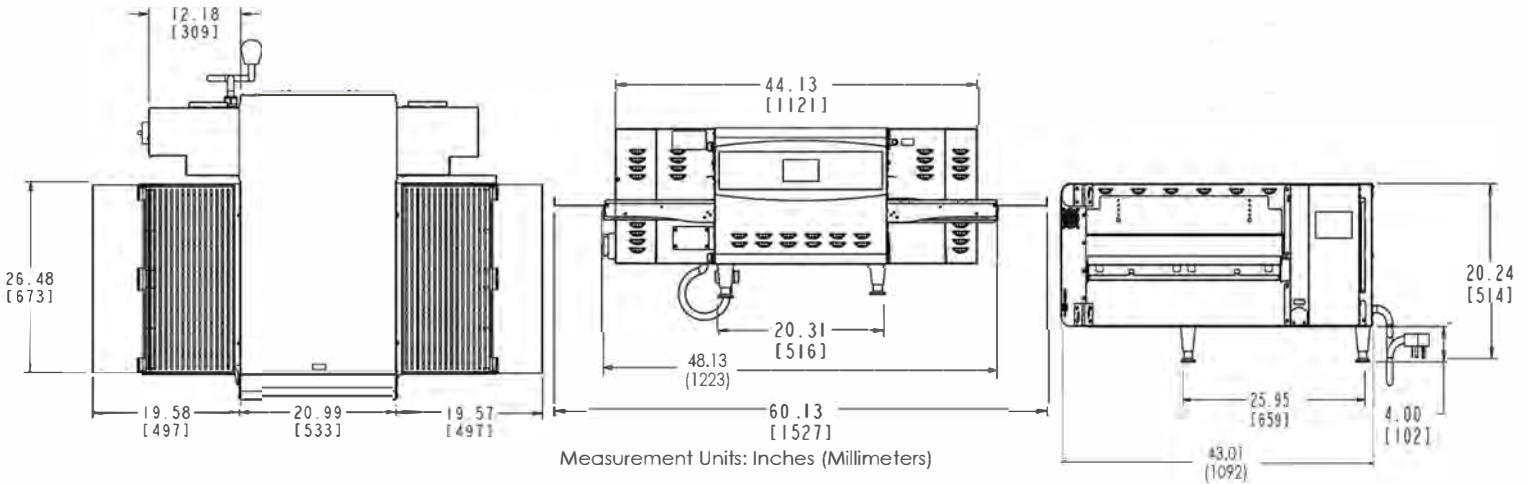
Patented air flow technology means 3x more air than traditional impingement.



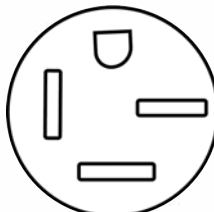
PROUDLY MADE IN THE USA



The Conveyor 2600 Oven



DIMENSIONS		
Height	16.24"	413 mm
With Legs	20.24"	514 mm
Width	48.13"	1223 mm
Depth	43.01"	1092 mm
Weight	266 lbs.	121 kg
Minimum Clearance	0" Top	0 mm Top
	2" Back	51 mm Back
	0" Side	0 mm Side
OVEN CAVITY DIMENSIONS		
Height	3.5"	89 mm
Width	26.5"	673 mm
Depth	21"	533 mm

ELECTRICAL SPECIFICATIONS		
Temperature Range	82-550°F	28-288°C
Voltage	208/240 VAC	 NEMA 15-50
Watts	14.1 x 18.7 kW	
Amperage	37 Amp	
Phase	3 ph	
Frequency	60Hz	
Cord Length	72"	1829 mm
SHIPPING SIZE		
Cube (L x W x H)	61" x 49" x 32"	1550mm x 1250mm x 813mm
Shipping Weight	356 lbs.	161 kg
Freight Class	175	
FOB	Sturgeon Bay, Wisconsin, USA	

BELT WIDTH OPTIONS		
Single	26"	660 mm
50/50	12.5" x 12.5"	318 x 318 mm
70/30	17" x 8"	432 x 203 mm

*For stacked units, a minimum of 6" back clearance needed

PROUDLY MADE IN THE USA