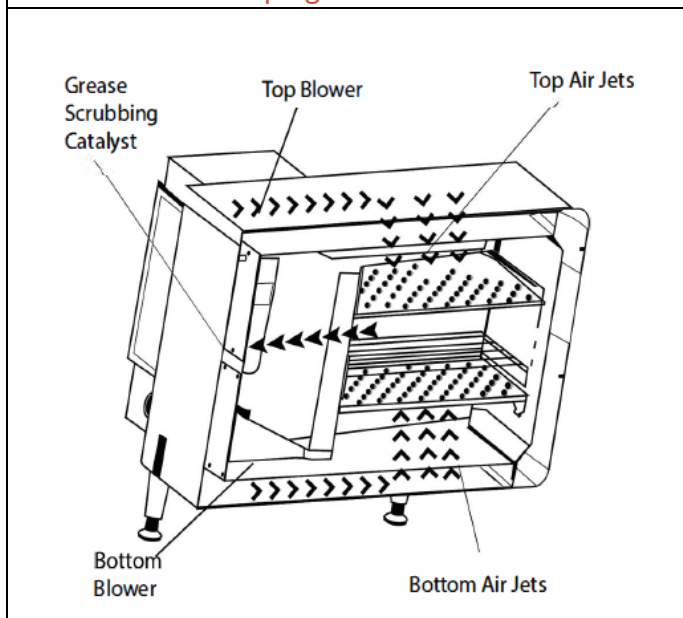




## The Matchbox® 360-14



**MORE AIR= BETTER QUALITY, FASTER**  
 Patented air flow technology means 3x more air than traditional impingement.



### STANDARD FEATURES

- ✓ Independently controlled top and bottom blowers with speeds up to 1100 CFM (ft<sup>3</sup>/min)
- ✓ Reduced energy consumption (documentation available)
- ✓ Less impact on HV AC costs (documentation available)
- ✓ Precision Impingement™ utilizes hot air for a fast, high- quality cook without microwaves
- ✓ FlexTemp technology changes cavity temperature by up to +/- 25°F between cook cycles
- ✓ Load and unload food automatically
- ✓ Warranty - 1 year parts and labor

### OPERATION

- ✓ Touch screen display with security passcode and countdown timer
- ✓ Holds up to 600 multistage recipes
- ✓ USB port - upload and download recipes, view cook logs, diagnostic mode

### PERFORMANCE

- ✓ Fits up to 14" pizza, (2) 12" pizzas, or (5) 7" pizzas, or a full-size sheet pan
- ✓ Grill, roast, bake, steam, broil, and air fry
- ✓ Use any oven-safe pans. Specialty pans available

### CONSTRUCTION

- ✓ 304 stainless steel interior
- ✓ 430 stainless steel exterior
- ✓ Easy to clean design (filters and jet plates are dishwasher safe)
- ✓ Decorative coverings or powder coat available

### VENTILATION

- ✓ No hood system required\*
  - ✓ UL listed for operation without a Type 1 hood in accordance with EPA 202 test
  - ✓ Listed for multiple stacking configurations
  - ✓ Performs 2.5X better than the required UL"
- \*Type 2 hood necessary if HVAC cannot accommodate thermal load

PROUDLY MADE IN THE USA



**Short Form Specification:** Provide Ovention Precision Impingement™ Oven with patented triple-layer impingement jet plates made of 304 stainless steel to maximize heat transfer, (2) half-moon cook surfaces capable of fitting 14" pizza, electric, countertop, internal catalytic filtration, intuitive digital display interface, two 2/3HP variable-speed\* motors , built-in self-diagnostics, 430 stainless steel front, top, sides and back, cool touch exterior, 304 stainless steel interior, USB menu upload capability, Autoload and Auto unload with built in queueing ability to virtually eliminate lag time between cooks, FlexTemp almost instantly changes +/- 50F between cooks, 4" adjustable height legs, 8250 heater watts, 36 amps, 208-240v/60hz/1-ph, NEMA 6-50P, cUL listed for ventless operation, Made in USA.

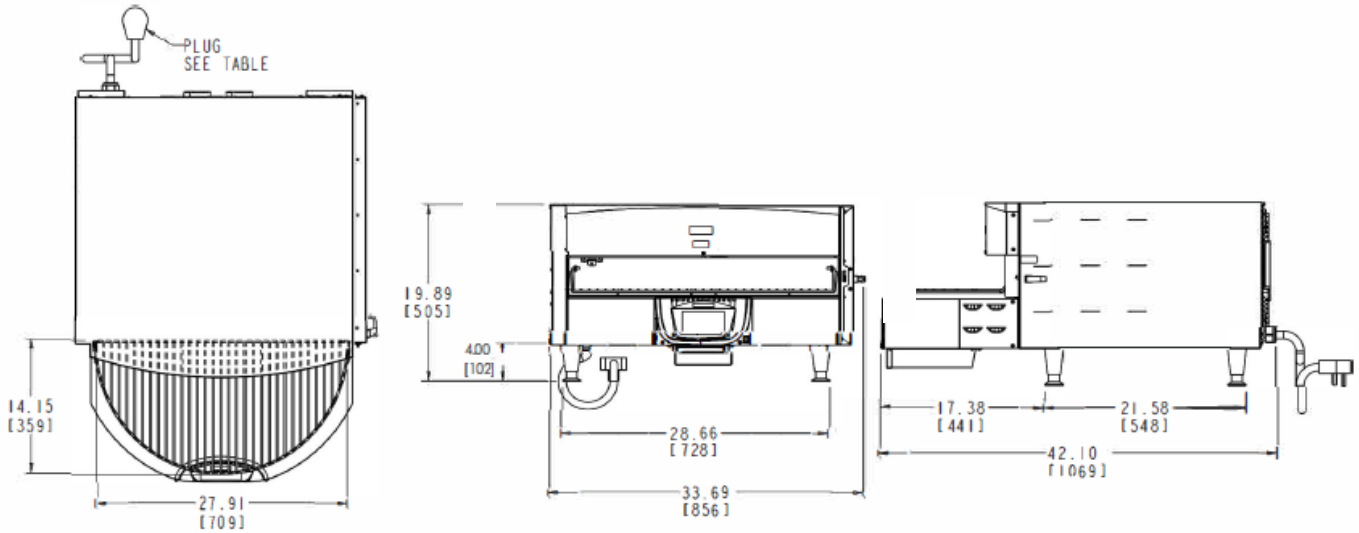


OventionOvens.com | 855.298.6836 | connect@ventionovens.com

Search Ovention to download our app.



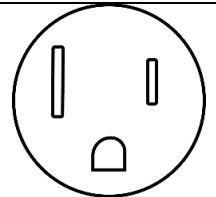
# The Matchbox® 360-14



Inches [millimeters]

## ELECTRICAL SPECIFICATIONS

<b>Height</b>	15.9"	405mm	<b>Model Number</b>	M360-14	
<b>With Legs</b>	19.9"	505 mm	<b>Temperature</b>	82-525 °F	28-274° C
<b>Width</b>	33.7"	856 mm	<b>Voltage</b>	208-240 VAC	
<b>Depth</b>	42.1"	1069 mm	<b>Heater Watts</b>	8.2 kW	
<b>Weight</b>	211 lbs.	84 kg	<b>Amperage</b>	36	
<b>Minimum Clearance</b>	0" Top	0 mm Top	<b>Phase</b>	1 ph	
	2" Back	51 mm Back	<b>Frequency</b>	60 Hz	
	0" Side	0 mm Side	<b>Cord Length</b>	72"	1829 mm



NEMA 6-50

## CAVITY DIMENSIONS\*\*

<b>Height</b>	3.5"	89 mm
<b>Width</b>	14.2"	359 mm
<b>Depth</b>	27.9" [14" pie / custom pan]	709 mm [36 cm pie / custom pan]

## SHIPPING INFORMATION

<b>Cube (LxWxH)</b>	49x40x32"	81x102x125 mm
<b>Shipping Weight</b>	275 lbs.	124.7 kg
<b>Freight Class</b>	175	
<b>Point of Origin</b>	Sturgeon Bay, Wisconsin, USA	

\*\* Measurements: actual [useable] dimensions

\*\*Ovention, Inc. reserves the right to make technical improvements



OventionOvens.com | 855.298.6836 | connect@oventionovens.com

Search Ovention to download our app.

