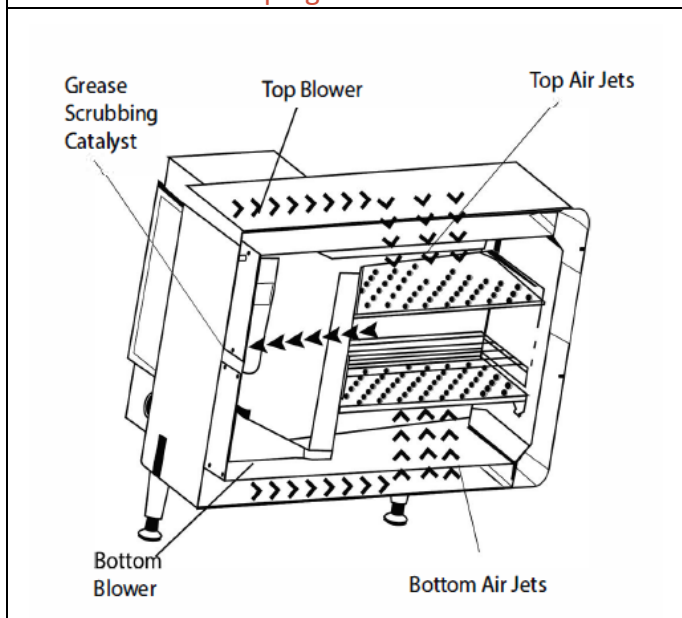




The Matchbox® 1313



MORE AIR= BETTER QUALITY, FASTER
 Patented air flow technology means 3x more air than traditional impingement.



STANDARD FEATURES

- ✓ Independently controlled top and bottom blowers with speeds up to 567 CFM (ft³/min)
- ✓ Quiet work environment - maximum (dB) of 69
- ✓ Reduced energy consumption (documentation available)
- ✓ Less impact on HVAC costs (documentation available)
- ✓ Precision Impingement™ utilizes hot air for a fast, high- quality cook without microwaves
- ✓ Load and unload food automatically
- ✓ Warranty - 1 year parts and labor
- ✓ FlexTemp technology changes cavity temperature by up to +/- 50°F between cook cycles

OPERATION

- ✓ Dual touch screen display with security passcode
- ✓ Holds up to 1,000 multistage recipes
- ✓ USB port - upload and download recipes, view cook logs, diagnostic mode

PERFORMANCE

- ✓ Cook 28 pizzas per hour (12" pie, product dependent)
- ✓ Fits up to 12" pizza or a quarter-size sheet pan
- ✓ Grill, roast, bake, steam, broil, and air fry
- ✓ Use any oven-safe pans. Specialty pans available

CONSTRUCTION

- ✓ 304 stainless steel interior
- ✓ 430 stainless steel exterior
- ✓ Easy to clean design (filters and jet plates are dishwasher safe)

VENTILATION

- ✓ No hood system required*
 - ✓ cUL listed for operation without a Type 1 hood in accordance with EPA 202 test
 - ✓ Listed for multiple stacking configurations
 - ✓ Performs 10X better than the required UL standard
- *Type 2 hood necessary if HVAC cannot accommodate thermal load

PROUDLY MADE IN THE USA



Short Form Specification: Provide Ovention Matchbox® 1313 Precision Impingement™ Oven with patented triple-layer impingement jet plates made of 304 stainless steel to maximize heat transfer, (2) 13" x 13" cook surfaces, electric, certified ventless, stackable, countertop, internal catalytic filtration, (2) easy-access intuitive digital display interfaces on front of the unit, two 1/3HP variable-speed motors, built-in self-diagnostics, 430 stainless steel front, top, sides and back, cool touch exterior, 304 stainless steel interior, USB menu upload capability, Autoload and Auto unload with built-in queuing ability to virtually eliminate lag time between cooks, FlexTemp almost instantly changes +/- 50F between cooks, 4" adjustable height legs , 5720 heater watts, 208v/60hz/1ph, 2 amps, NEMA 6-30P, cUL listed, Made in USA.

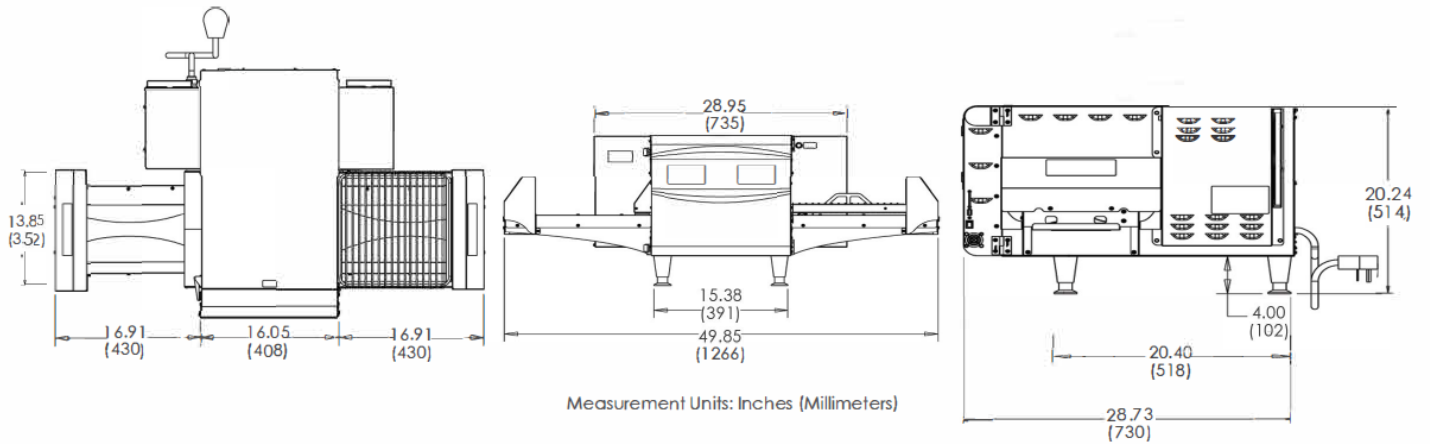
OventionOvens.com | 855.298.6836 | connect@ventionovens.com



Search Ovention to download our app.

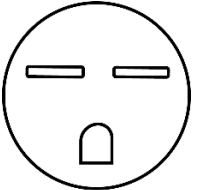


The Matchbox® 1313 Oven



ELECTRICAL SPECIFICATIONS

| | | |
|--------------------------|----------|------------|
| Height | 16.24" | 413 mm |
| With Legs | 20.24" | 514 mm |
| Width | 49.85" | 1267 mm |
| Depth | 28.73" | 730 mm |
| Weight | 169 lbs. | 77 kg |
| Minimum Clearance | 0" Top | 0 mm Top |
| | 2" Back | 51mm Back* |
| | 0" Side | 0 mm Side |

| | | |
|---------------------|-----------|---|
| Model Number | M1313CSA | |
| Temperature | 82-525° F | 28-274° C |
| Voltage | 208 VAC |  NEMA 6-30 |
| Heater Watts | 5.7 kW | |
| Amperage | 24 Amp | |
| Phase | 1 ph | |
| Frequency | 60 Hz | |
| Cord Length | 72" | 1829 mm |

CAVITY DIMENSIONS**

| | | |
|---------------|-----------|----------------|
| Height | 3.5" | 89 mm |
| Width | 13" | 330 mm |
| Depth | 13" [13"] | 330mm [330 mm] |

SHIPPING INFORMATION

| | | |
|------------------------|------------------------------|-----------------|
| Cube (LxWxH) | 55x34x30" | 1400x860x762 mm |
| Shipping Weight | 233 lbs. | 106 kg |
| Freight Class | 175 | |
| Point of Origin | Sturgeon Bay, Wisconsin, USA | |

*If units are stacked, 6" (152 mm) back clearance needed

** Measurements: actual [useable] dimensions

Ovention, Inc. reserves the right to make technical improvements



OventionOvens.com | 855.298.6836 | connect@oventionovens.com

Search Ovention to download our app.

