

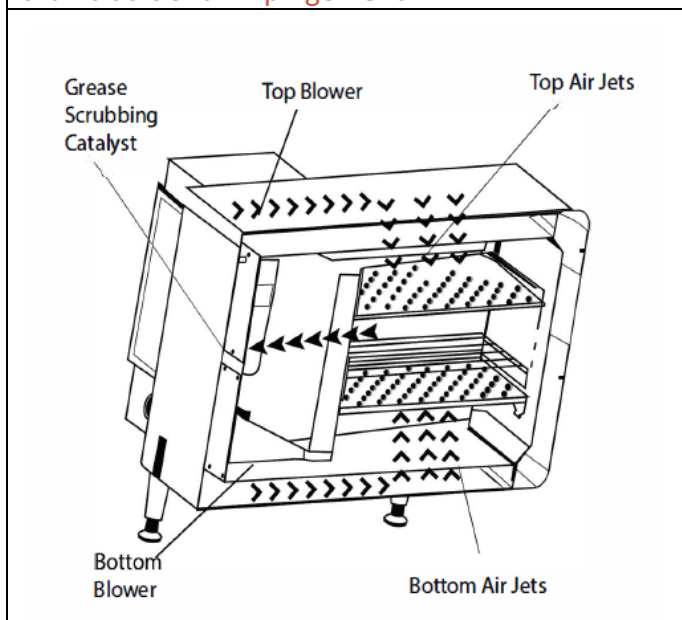


The Matchbox® 1718



MORE AIR= BETTER QUALITY, FASTER

Patented air flow technology means 3x more air than traditional impingement.



STANDARD FEATURES

- ✓ Independently controlled top and bottom blowers with speeds up to 1100 CFM (ft³/min)
- ✓ Quiet work environment - maximum (dB) of 69
- ✓ Reduced energy consumption (documentation available)
- ✓ Less impact on HVAC costs (documentation available)
- ✓ Precision Impingement™ utilizes hot air for a fast, high- quality cook without microwaves
- ✓ Load and unload food automatically
- ✓ Warranty - 1 year parts and labor
- ✓ FlexTemp technology changes cavity temperature by up to +/- 50°F between cook cycles

OPERATION

- ✓ Dual touch screen display with security passcode
- ✓ Holds up to 1,000 multistage recipes
- ✓ USB port - upload and download recipes, view cook logs, diagnostic mode

PERFORMANCE

- ✓ Cook 28 pizzas per hour (16" pie, product dependent)
- ✓ Fits up to 16" pizza or a half-size sheet pan
- ✓ Grill, roast, bake, steam, broil, and air fry
- ✓ Use any oven-safe pans. Specialty pans available

CONSTRUCTION

- ✓ 304 stainless steel interior
- ✓ 430 stainless steel exterior
- ✓ Easy to clean design (filters and jet plates are dishwasher safe)

VENTILATION

- ✓ No hood system required*
 - ✓ UL listed for operation without a Type 1 hood in accordance with EPA 202 test
 - ✓ UL and cUL listed for multiple stacking configurations
 - ✓ Performs 10X better than the required UL standard
- *Type 2 hood necessary if HVAC cannot accommodate thermal load

PROUDLY MADE IN THE USA



Short Form Specification: Ovention Matchbox® 1718 Precision Impingement™ Oven with patented triple-layer impingement jet plates made of 304 stainless steel to maximize heat transfer, 1081 CFM, (2) 17" x 18" cook surfaces, electric, certified ventless, stackable, countertop, internal catalytic filtration, (2) intuitive digital display interfaces, two 2/3HP variable-speed motors, built-in self-diagnostics, 430 stainless steel front, top, sides and back, cool touch exterior, 304 stainless steel interior, USB menu upload capability, Autoload and Auto unload with built in queuing ability to virtually eliminate lag time between cooks, FlexTemp almost instantly changes +/- 50F between cooks, 4" adjustable height legs, 10000 heater watts, 208v/60hz/1-ph, 40 amps, NEMA 6-50P, UL and cUL listed, ANSI/NSF 4, Made in USA.

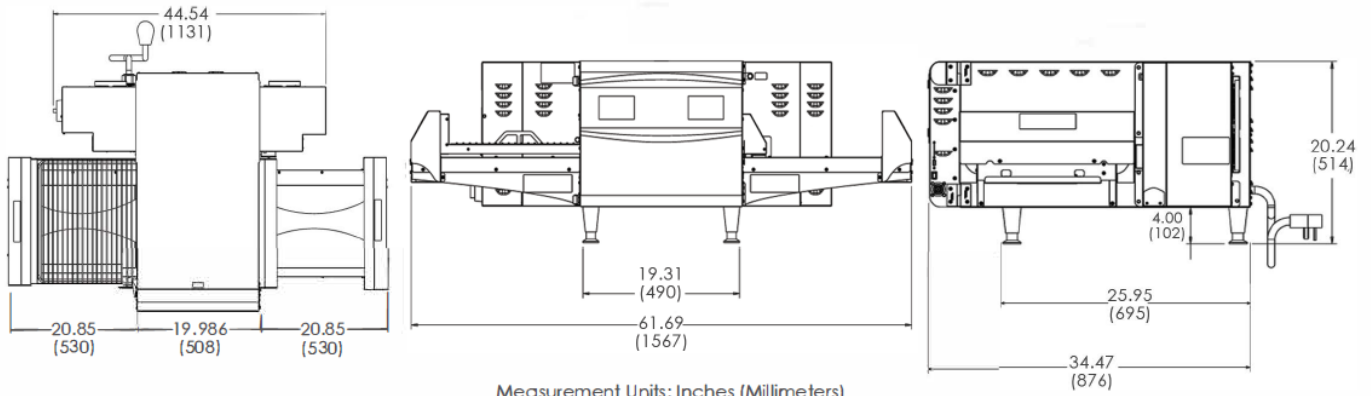


OventionOvens.com | 855.298.6836 | connect@ventionovens.com

Search Ovention to download our app.




The Matchbox® 1718 Oven



ELECTRICAL SPECIFICATIONS

Height	16.24"	413 mm
With Legs	20.24"	514 mm
Width	61.69"	1567 mm
Depth	34.47"	876 mm
Weight	228 lbs.	103.4 kg
Minimum Clearance	0" Top	0 mm Top
	2" Back	51mm Back*
	0" Side	0 mm Side

Model Number	M1718CSA	
Temperature	82-525° F	28-274° C
Voltage	208 VAC	 NEMA 6-50
Heater Watts	10.0 kW	
Amperage	40 Amp	
Phase	1 ph	
Frequency	60 Hz	
Cord Length	72"	1829 mm

CAVITY DIMENSIONS**		
Height	3.5"	89 mm
Width	17"	432 mm
Depth	18" [18"]	458 mm [458 mm]

SHIPPING INFORMATION		
Cube (LxWxH)	68x41x31"	1727x1041x787 mm
Shipping Weight	312 lbs.	141.5 kg
Freight Class	175	
Point of Origin	Sturgeon Bay, Wisconsin, USA	

*If units are stacked, 6" (152 mm) back clearance needed

** Measurements: actual [useable] dimensions

Ovention, Inc. reserves the right to make technical improvements



OventionOvens.com | 855.298.6836 | connect@oventionovens.com

Search Ovention to download our app.

