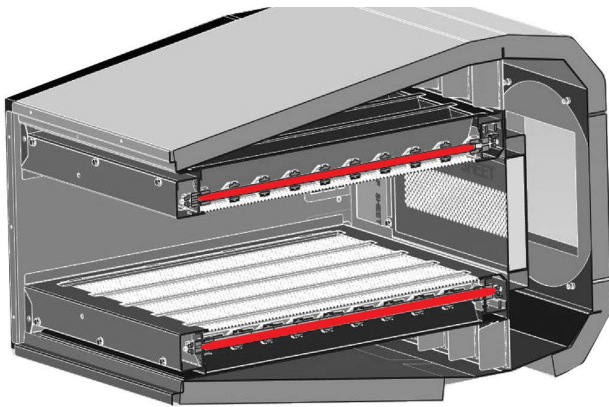




The Single MiLO® -14 Oven



Air + IR = Superior Product
Quality food products.
One-of-a-kind artisan finish.



Short Form Specification: Provide Ovention Single MiLO® 14 Convection/ Infrared Oven, electric, certified ventless, 15.5x14.3" cavity with interior light, capacitive touch screen display with security passcode and countdown timer, USB menu load capability, 24V brushless DC variable-speed motor, internal catalytic filtration, removable filters, crumb and grease tray, stainless steel door with window, 304 Stainless steel interior, 430 stainless steel top, sides & back, 4" adjustable height legs, 8 individual 600W/52V Infrared open-coil heating elements directly above and below cook surface, 6.4 kW, 208-240v/60/3-ph, 25-29 amps, NEMA 15-50-P, cUL Listed, UL EPH Classified, Made in USA.

Ask about our **anti-microbial powder coat** - standard for all available colors



STANDARD FEATURES

- ✓ Revolutionary new technology of Decoupled Air & Infrared (IR)
- ✓ Patented streamlined airflow design maximizes transfer of IR energy
- ✓ Touch screen display with security passcode and countdown timer
- ✓ Cooking cavity illuminates while in operation for a theatrical experience
- ✓ Warranty - 1 year parts and labor
- ✓ Energy efficient
- ✓ Active venting feature allows for removal of humidity in cook cavity for crisper product
- ✓ Quiet operation at only 68 dB

OPERATION

- ✓ USB port - upload and download recipes, view cook logs, diagnostic mode
- ✓ 1,000+ recipes
- ✓ Independently controlled Decoupled Air and IR for each cook stage for optimal product finish
- ✓ Touch screen display with security passcode

PERFORMANCE

- ✓ Capacity: optimally fits up to a 14" pizza or 1 /4 size sheet pan
- ✓ Grill, roast, bake, steam, broil, and air fry
- ✓ Use any oven-safe pans. Accessory pans available for scoring products or cooking specialty menu items

CONSTRUCTION

- ✓ 304 stainless interior, 430 stainless exterior
- ✓ Easy to clean design: Filters are dishwasher safe, crumb and grease trays are removable and jet plates tilt for easy cleaning

VENTILATION

- ✓ No hood system required*
- *Type 2 hood necessary if HVAC cannot accommodate thermal load



PROUDLY MADE IN THE USA

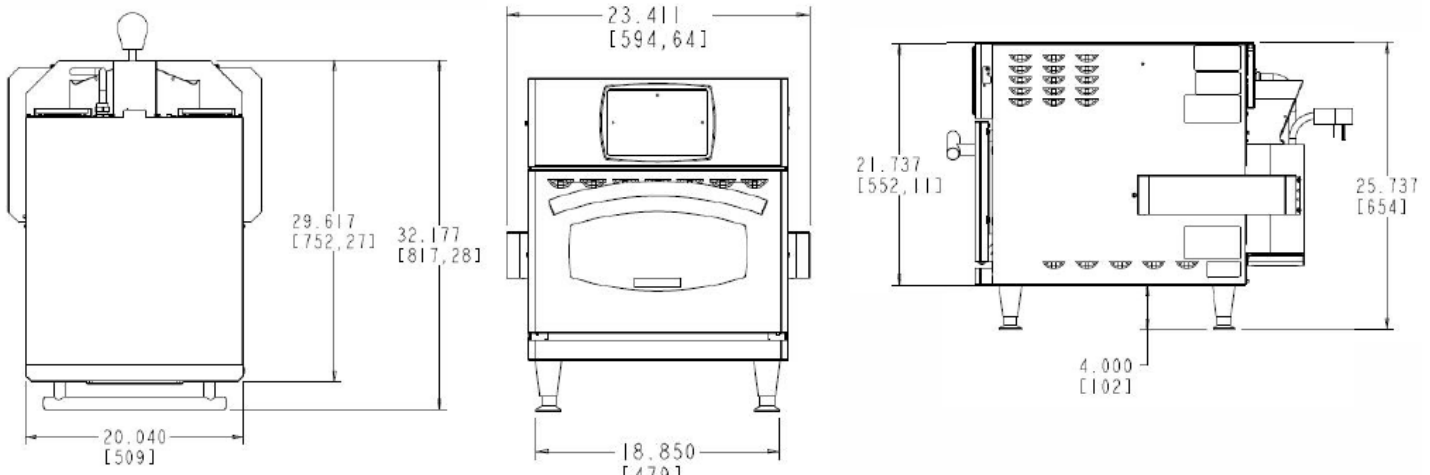


OventionOvens.com | 855.298.6836 | connect@ventionovens.com

Search Ovention to download our app.

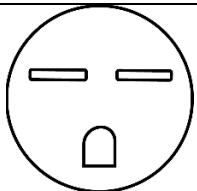


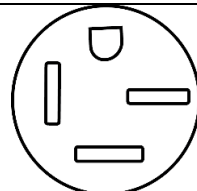
The Single MiLO® -14 Oven



Measurement Units: Inches (Millimeters)

ELECTRICAL SPECIFICATIONS

Model Number	MILO-14	
Temperature	82-600 °F	28-316° C
Voltage	208-240 VAC	 NEMA 6-30
Heater Watts	6.4 kW	
Amperage	25/29	
Phase	1	
Frequency	60 Hz	
Cord Length	72"	
DIMENSIONS		
Height	21.7"	552 mm
With Legs	25.7"	654 mm
Width	23.4"	595 mm
Depth	32.2"	817 mm
Weight	163 lbs.	74 kg
Minimum Clearance	0" Top	0 mm Top
	0" Back	0 mm Back
	0" Sides	0 mm Sides

Model Number	MILO-14-3 (Canada Only)	
Temperature	82-600 °F	28-316° C
Voltage	208-240 VAC	 NEMA 15-50
Heater Watts	6.4 kW	
Amperage	25/29	
Phase	3	
Frequency	60 Hz	
Cord Length	72"	
CAVITY DIMENSIONS*		
Height	4"	102 mm
Width	15.5" [15.125"]	394 mm [384 mm]
Depth	14.3" [14.25"]	363 mm [362 mm]
SHIPPING SIZE		
Cube (LxWxH)	38 x 34 x 38"	965 x864 x965 mm
Shipping Weight	205 lbs.	93 kg
Freight Class	110	
Point of Origin	Sturgeon Bay, Wisconsin, USA	

*Measurements: Actual [usable] dimensions

**Ovention, Inc. reserves the right to make technical improvements



OventionOvens.com | 855.298.6836 | connect@oventionovens.com

Search Ovention to download our app.

