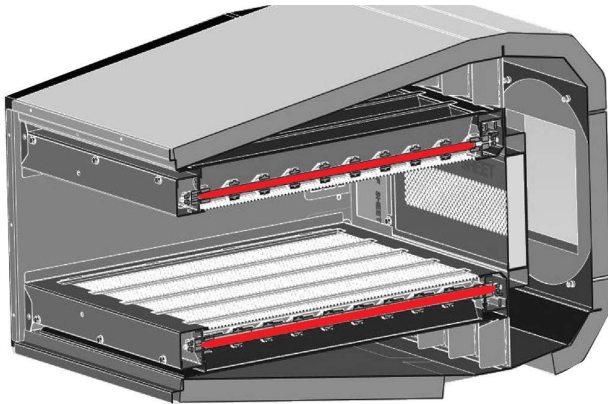




## The Double MiLO® 2-16 Oven



**Air + IR = Superior Product**  
**Quality food products.**  
**One-of-a-kind artisan finish.**



### STANDARD FEATURES

- ✓ Revolutionary infusion of decoupled air and infrared (IR) technologies
- ✓ Independently controlled top and bottom cavities, each with its own interior light and control panel
- ✓ Patented streamlined airflow design maximizes transfer of IR energy
- ✓ Touch screen display with security passcode and countdown timer
- ✓ Quiet operation at only 66 dB
- ✓ Cooking cavity illuminates while in operation for a theatrical experience
- ✓ Warranty - 1 year parts and labor
- ✓ Energy efficient
- ✓ Active venting to manage humidity in the cavity

### OPERATION

- ✓ USB port - upload and download recipes, view cook logs, diagnostic mode
- ✓ 1,000 recipes per cavity
- ✓ Independently controlled decoupled air and IR for each cook stage for optimal product finish
- ✓ Dual touch screen display with security passcode

### PERFORMANCE

- ✓ Capacity: optimally fits up to a 16" pizza or 1/2 size sheet pan in each cavity
- ✓ Grill, roast, bake, steam, broil, and air fry
- ✓ Use any oven-safe pans. Accessory pans available for scoring or cooking specialty menu items

### CONSTRUCTION

- ✓ 304 stainless interior, 430 stainless exterior
- ✓ Easy to clean design: Filters are dishwasher safe, crumb and grease trays are removable, and jet plates tilt for easy cleaning

### VENTILATION

- ✓ No hood system required\*

\*Type 2 hood necessary if HVAC cannot accommodate thermal load

**PROUDLY MADE IN THE USA**



**Short Form Specification** Provide Ovention Double MiLO 2-16 Convection/ Infrared Oven, Electric, certified ventless, (2) 17.5"x18.3" fully independent cavities with interior lights, independent controls, capacitive touch screen display with security passcode and countdown timer, USB menu load capability, 24V brushless DC variable-speed motor in each cavity, internal catalytic filtration, removable filters, crumb and grease trays, stainless steel doors with windows, 304 Stainless steel interior, 430 stainless steel top, sides & back, 4" adjustable height legs, 12 individual 366W/104V Infrared open-coil heating elements directly above and below cook surface, 11.76 kW, 208-240v/60/1-ph, 44.0-49.0 amps, NEMA 6-50-P, UL Listed, UL EPH Classified, Made in USA.

Ask about our **anti-microbial powder coat** - standard for all available colors

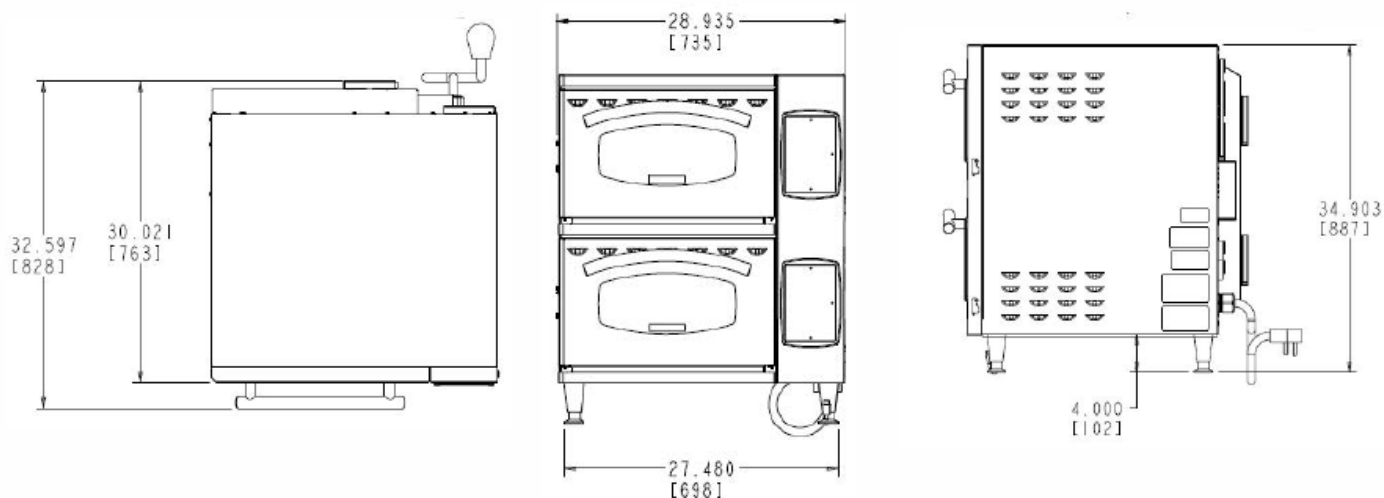


OventionOvens.com | 855.298.6836 | connect@ventionovens.com

Search Ovention to download our app.

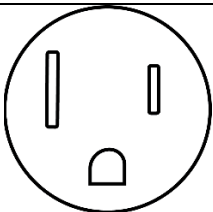
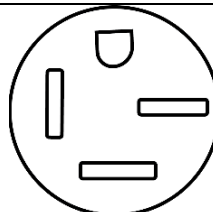


# The Double MiLO® 2-16 Oven



Measurement Units: Inches (Millimeters)

## ELECTRICAL SPECIFICATIONS

| Model Number      | MILO2-16-G2 |   | Model Number      | MILO2-16-G2-3US<br>MILO2-16-G2-3 (CA) |  |
|-------------------|-------------|---|-------------------|---------------------------------------|--|
| Temperature       | 82-600 °F   | 28-316° C   | Temperature       | 82-600 °F                             | 28-316° C  |
| Voltage           | 208-240 VAC |   | Voltage           | 208-240 VAC                           |  |
| Heater Watts      | 11.7 kw     | <br>NEMA 6-50 | Heater Watts      | 11.7 kw                               | <br>NEMA 15-50 |
| Amperage          | 44-49       |   | Amperage          | 38-40                                 |  |
| Phase             | 1           |   | Phase             | 3                                     |  |
| Frequency         | 60 Hz       |   | Frequency         | 60 Hz                                 |  |
| Cord Length       | 72"         | 1829 mm   | Cord Length       | 72"                                   | 1829 mm  |
| DIMENSIONS        |             |   | CAVITY DIMENSIONS |                                       |  |
| Height            | 30.9"       | 785 mm  | Height            | 4"                                    | 102 mm   |
| With Legs         | 34.9"       | 887 mm  | Width             | 17.5" [16.75"]                        | 445 mm [425 mm]  |
| Width             | 28.9"       | 735 mm  | Depth             | 18.3" [18.15"]                        | 465 mm [461 mm]  |
| Depth             | 32.6"       | 828 mm  | SHIPPING SIZE     |                                       |  |
| Weight            | 325 lbs.    | 147 kg  | Cube (LxWxH)      | 38 x 34 x 46"                         | 965 x864 xl68 mm   |
| Minimum Clearance | 2" Left     | 50 mm Left  | Shipping Weight   | 363 lbs.                              | 161 kg   |
|                   | 1" Back     | 25 mm Back  | Freight Class     | 77.5                                  |  |
|                   | 0" Right *  | 0 mm Right  | Point of Origin   | Sturgeon Bay, Wisconsin, USA          |  |

\*Right Side= control side of the unit. Measurements above are for noncombustible surfaces. For combustible surface, left (non-control) side needs a minimum 7" [178 mm] clearance. \*\*Ovention, Inc. reserves the right to make technical improvements