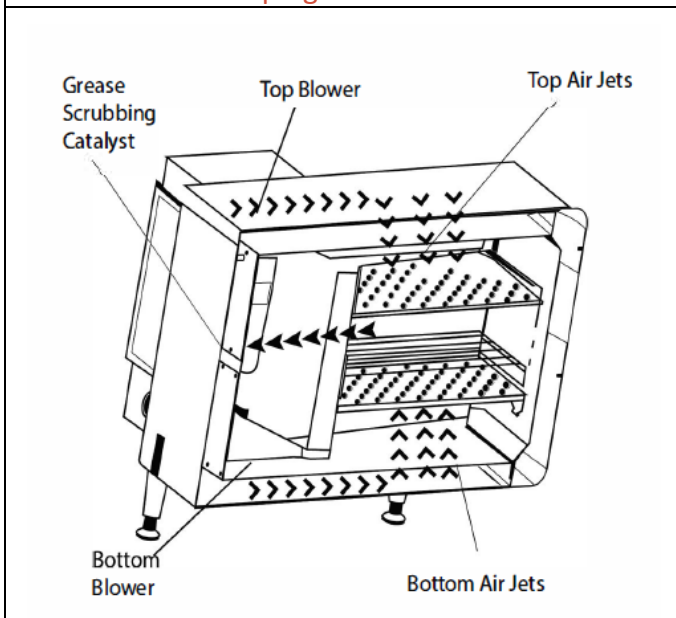




The Matchbox® 1313



MORE AIR= BETTER QUALITY, FASTER
Patented air flow technology means 3x more air than traditional impingement.



Short Form Specification: Provide Ovention Matchbox® 1313 Precision Impingement™ Oven with patented triple-layer impingement jet plates made of 304 stainless steel to maximize heat transfer, (2) 13" x 13" cook surfaces, electric, certified ventless, stackable, countertop, internal catalytic filtration, (2) easy-access intuitive digital display interfaces on front of the unit, two 1/3HP variable-speed motors, built-in self-diagnostics, 430 stainless steel front, top, sides and back, cool touch exterior, 304 stainless steel interior, USB menu upload capability, Autoload and Auto unload with built-in queueing ability to virtually eliminate lag time between cooks, FlexTemp almost instantly changes +/- 50F between cooks, 4" adjustable height legs, 6400 heater watts, 208-240v/60hz/1-ph, 29 amps, NEMA 6-30P, UL listed, ANSI/NSF 4, Made in USA.

STANDARD FEATURES

- ✓ Independently controlled top and bottom blowers with speeds up to 567 CFM (ft³/min)
- ✓ Quiet work environment - maximum (dB) of 69
- ✓ Reduced energy consumption (documentation available)
- ✓ Less impact on HVAC costs (documentation available)
- ✓ Precision Impingement™ utilizes hot air for a fast, high-quality cook without microwaves
- ✓ Load and unload food automatically
- ✓ Warranty - 1 year parts and labor
- ✓ FlexTemp technology changes cavity temperature by up to +/- 50°F between cook cycles

OPERATION

- ✓ Dual touch screen display with security passcode
- ✓ Holds up to 1,000 multistage recipes
- ✓ USB port - upload and download recipes, view cook logs, diagnostic mode

PERFORMANCE

- ✓ Cook 28 pizzas per hour (12" pie, product dependent)
- ✓ Fits up to 12" pizza or a quarter-size sheet pan
- ✓ Grill, roast, bake, steam, broil, and air fry
- ✓ Use any oven-safe pans. Specialty pans available

CONSTRUCTION

- ✓ 304 stainless steel interior
- ✓ 430 stainless steel exterior
- ✓ Easy to clean design (filters and jet plates are dishwasher safe)

VENTILATION

- ✓ No hood system required*
 - ✓ UL listed for operation without a Type 1 hood in accordance with EPA 202 test
 - ✓ UL listed for multiple stacking configurations
 - ✓ Performs 10X better than the required UL standard
- *Type 2 hood necessary if HVAC cannot accommodate thermal load

PROUDLY MADE IN THE USA

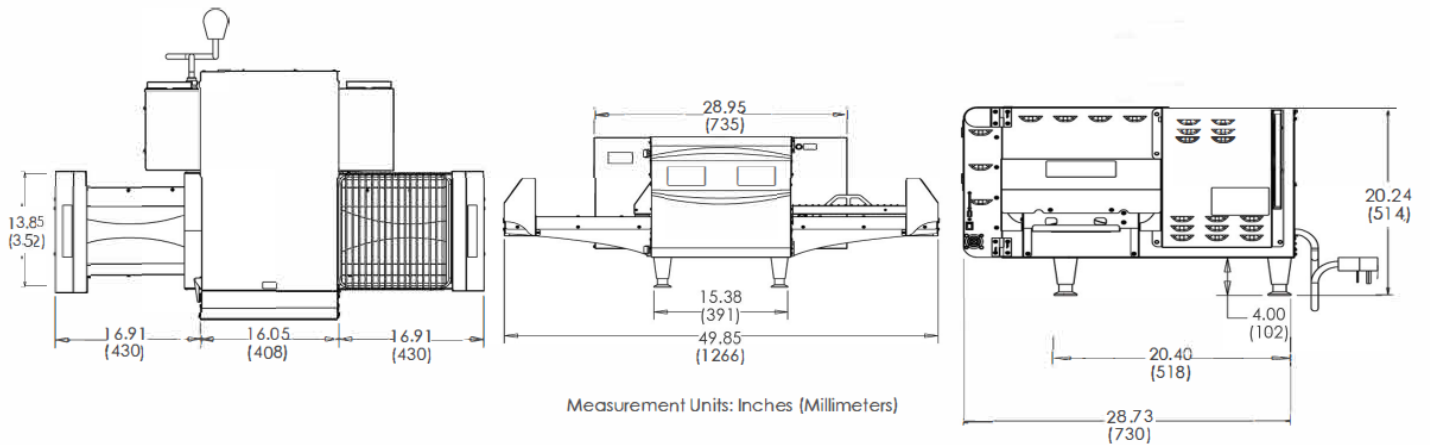


OventionOvens.com | 855.298.6836 | connect@ventionovens.com

Search Ovention to download our app.

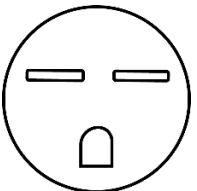


The Matchbox® 1313 Oven



ELECTRICAL SPECIFICATIONS

Height	16.24"	413 mm
With Legs	20.24"	514 mm
Width	49.85"	1267 mm
Depth	28.73"	730 mm
Weight	169 lbs.	77 kg
Minimum Clearance	0" Top	0 mm Top
	2" Back	51mm Back*
	0" Side	0 mm Side

Model Number	M1313	
Temperature	82-525° F	28-274° C
Voltage	208-240 VAC	 NEMA 6-30
Heater Watts	6.4 kW	
Amperage	26/29 Amp	
Phase	1 ph	
Frequency	60 Hz	
Cord Length	72"	1829 mm

CAVITY DIMENSIONS**

Height	3.5"	89 mm
Width	13"	330 mm
Depth	13" [13"]	330mm [330 mm]

SHIPPING INFORMATION

Cube (LxWxH)	55x34x30"	1400x860x762 mm
Shipping Weight	233 lbs.	106 kg
Freight Class	175	
Point of Origin	Sturgeon Bay, Wisconsin, USA	

*If units are stacked, 6" (152 mm) back clearance needed

** Measurements: actual [useable] dimensions

Ovention, Inc. reserves the right to make technical improvements



OventionOvens.com | 855.298.6836 | connect@oventionovens.com

Search Ovention to download our app.

