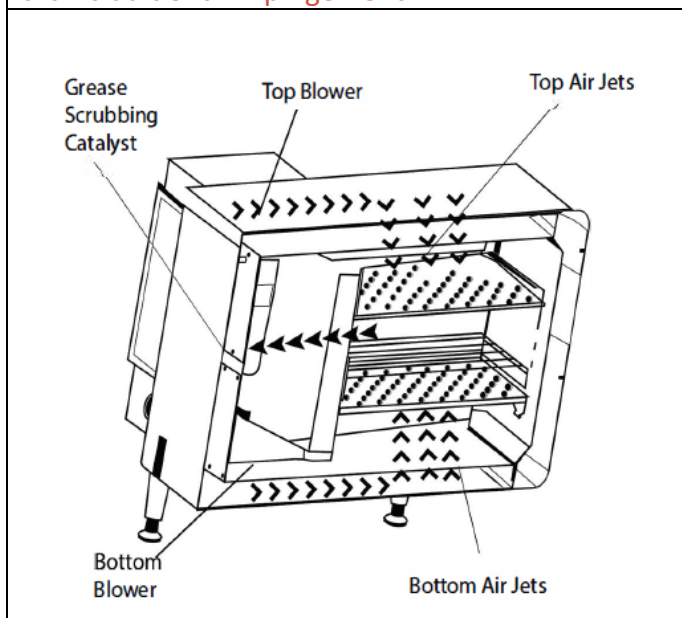




## The Matchbox® 1313



**MORE AIR= BETTER QUALITY, FASTER**  
 Patented air flow technology means 3x more air than traditional impingement.



**Short Form Specification:** Provide Ovention Matchbox® 1313 Precision Impingement™ Oven with patented triple-layer impingement jet plates made of 304 stainless steel to maximize heat transfer, (2) 13" x 13" cook surfaces, electric, certified ventless, stackable, countertop, internal catalytic filtration, (2) easy-access intuitive digital display interfaces on front of the unit, two 1/3HP variable-speed motors, built-in self-diagnostics, 430 stainless steel front, top, sides and back, cool touch exterior, 304 stainless steel interior, USB menu upload capability, Autoload and Auto unload with built-in queuing ability to virtually eliminate lag time between cooks, FlexTemp almost instantly changes +/- 50F between cooks, 4" adjustable height legs, 6400 heater watts, 230v/50hz/1ph, 24 amps, IEC 60309 2P+PE 32A, CE listed, ANSI/NSF 4, Made in USA.

### STANDARD FEATURES

- ✓ Independently controlled top and bottom blowers with speeds up to 567 CFM (ft<sup>3</sup>/min)
- ✓ Quiet work environment - maximum (dB) of 69
- ✓ Reduced energy consumption (documentation available)
- ✓ Less impact on HVAC costs (documentation available)
- ✓ Precision Impingement™ utilizes hot air for a fast, high- quality cook without microwaves
- ✓ Load and unload food automatically
- ✓ Warranty - 1 year parts and labor
- ✓ FlexTemp technology changes cavity temperature by up to +/- 50°F between cook cycles

### OPERATION

- ✓ Dual touch screen display with security passcode
- ✓ Holds up to 1,000 multistage recipes
- ✓ USB port - upload and download recipes, view cook logs, diagnostic mode

### PERFORMANCE

- ✓ Cook 28 pizzas per hour (12" pie, product dependent)
- ✓ Fits up to 12" pizza or a quarter-size sheet pan
- ✓ Grill, roast, bake, steam, broil, and air fry
- ✓ Use any oven-safe pans. Specialty pans available

### CONSTRUCTION

- ✓ 304 stainless steel interior
- ✓ 430 stainless steel exterior
- ✓ Easy to clean design (filters and jet plates are dishwasher safe)

### VENTILATION

- ✓ No hood system required\*
  - ✓ UL listed for operation without a Type 1 hood in accordance with EPA 202 test
  - ✓ Listed for multiple stacking configurations
  - ✓ Performs 10X better than the required UL standard
- \*Type 2 hood necessary if HVAC cannot accommodate thermal load

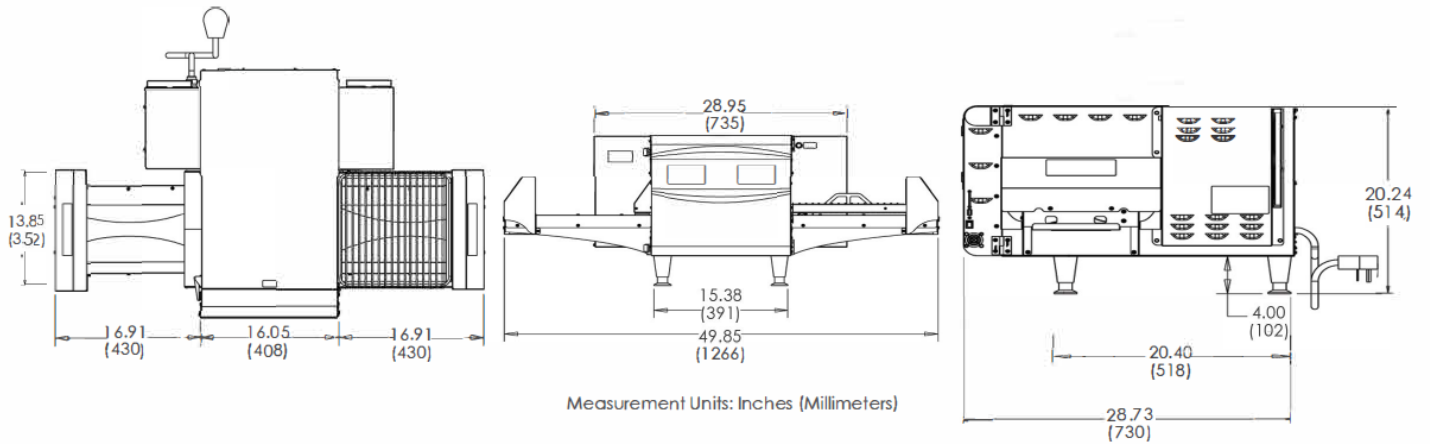
PROUDLY MADE IN THE USA



OventionOvens.com | 855.298.6836 | connect@ventionovens.com

Search Ovention to download our app.





### ELECTRICAL SPECIFICATIONS

<b>Height</b>	16.24"	413 mm
<b>With Legs</b>	20.24"	514 mm
<b>Width</b>	49.85"	1267 mm
<b>Depth</b>	28.73"	730 mm
<b>Weight</b>	169 lbs.	77 kg
<b>Minimum Clearance</b>	0" Top	0 mm Top
	2" Back	51mm Back*
	0" Side	0 mm Side

<b>Model Number</b>	M1313	
<b>Temperature</b>	82-525° F	28-274° C
<b>Voltage</b>	230 VAC	<p>IEC 60309 2P+PE 32A</p>
<b>Heater Watts</b>	6.4 kW	
<b>Amperage</b>	24 Amp	
<b>Phase</b>	1 ph	
<b>Frequency</b>	50 Hz	
<b>Cord Length</b>	72"	1829 mm

### CAVITY DIMENSIONS\*\*

<b>Height</b>	3.5"	89 mm
<b>Width</b>	13"	330 mm
<b>Depth</b>	13" [13"]	330mm [330 mm]

### SHIPPING INFORMATION

<b>Cube (LxWxH)</b>	55x34x30"	1400x860x762 mm
<b>Shipping Weight</b>	233 lbs.	106 kg
<b>Freight Class</b>	175	
<b>Point of Origin</b>	Sturgeon Bay, Wisconsin, USA	

\*If units are stacked, 6" (152 mm) back clearance needed

\*\* Measurements: actual [useable] dimensions

Ovention, Inc. reserves the right to make technical improvements