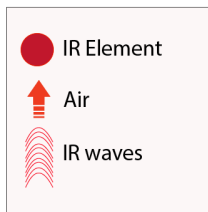
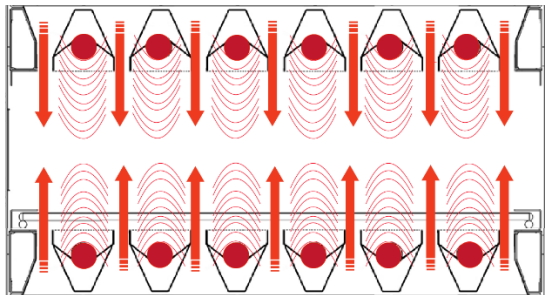




## The Single MiLO®-16 Oven



**Air + IR = Superior Product**  
**Quality food products.**  
**One-of-a-kind artisan finish.**



### STANDARD FEATURES

- ✓ Revolutionary new technology of decoupled air and infrared (IR)
- ✓ Patented streamlined airflow design maximizes transfer of IR energy
- ✓ Touch screen display with security passcode and countdown timer
- ✓ Quiet operation at less than 66 dB
- ✓ Cooking cavity illuminates while in operation for a theatrical experience
- ✓ Warranty - 1 year parts and labor
- ✓ Energy efficient
- ✓ Active venting to manage humidity in the cavity

### OPERATION

- ✓ USB port - upload and download recipes, view cook logs, diagnostic mode
- ✓ 1,000+ recipes
- ✓ Independently controlled decoupled air and IR for each cook stage for optimal product finish
- ✓ Touch screen display with security passcode

### PERFORMANCE

- ✓ Capacity: optimally fits up to a 16" pizza or 1/2 size sheet pan
- ✓ Grill, roast, bake, steam, broil, and air fry
- ✓ Use any oven-safe pans. Accessory pans available for scoring or cooking specialty menu items

### CONSTRUCTION

- ✓ 304 stainless interior, 430 stainless exterior
- ✓ Easy to clean design: Crumb and grease trays are removable, and jet plates tilt for easy cleaning

### VENTILATION

- ✓ No hood system required\*
- \*Type 2 hood necessary if HVAC cannot accommodate thermal load

**PROUDLY MADE IN THE USA**



**Short Form Specification** Provide Ovention MiLO-16 Convection/ Infrared Oven, Electric, certified ventless, (1) 17.5"x18.3" cook cavity with interior lights, capacitive touch screen display with security passcode and countdown timer, USB menu load capability, 24V brushless DC variable-speed blower motor, internal catalytic filtration, removable filters, crumb and grease tray, stainless steel door with window, 304 Stainless steel interior, 430 stainless steel top, sides & back, 4" adjustable height legs, 12 individual 366W/104V Infrared open-coil heating elements directly above and below cook surface, 5.88 kW, 208-240v/60/1-ph, 22.0-25.0 amps, NEMA 6-30P, UL Listed, UL EPH Classified, Made in USA.

Ask about our **anti-microbial powder coat** - standard for all available colors

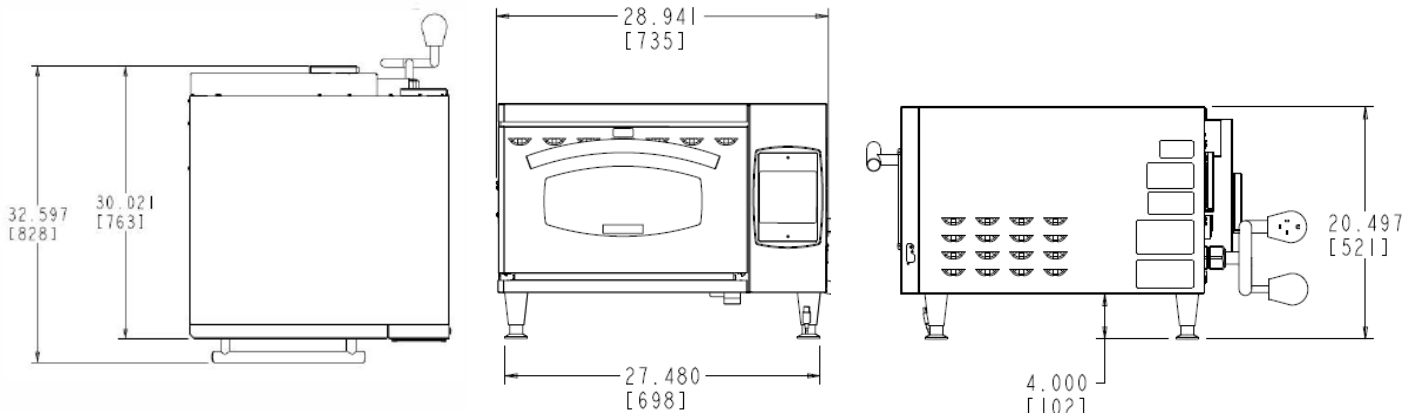


OventionOvens.com | 855.298.6836 | connect@ventionovens.com

Search Ovention to download our app.

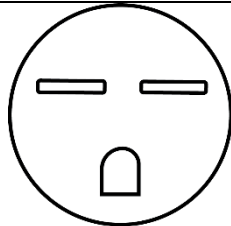


# The Double MiLO® 2-16 Oven



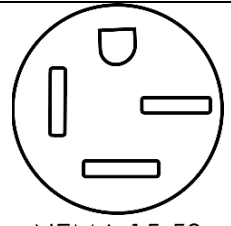
## ELECTRICAL SPECIFICATIONS

Model Number	MILO-16	
Temperature	82-600 °F	28-316° C
Voltage	208-240 VAC	
Heater Watts	5.8 kw	
Amperage	22-25	
Phase	1	
Frequency	60 Hz	
Cord Length	72"	1829 mm



NEMA 6-30

Model Number	MILO-16-3US MILO-16-3 (CA)	
Temperature	82-600 °F	28-316° C
Voltage	208-240 VAC	
Heater Watts	5.8 kw	
Amperage	22-25	
Phase	3	
Frequency	60 Hz	
Cord Length	72"	1829 mm



NEMA 15-50

### DIMENSIONS

Height	16.5"	419 mm
With Legs	20.5"	521 mm
Width	28.9"	735 mm
Depth	32.6"	828 mm
Weight	169 lbs.	77 kg
Minimum Clearance	3" Left *	76 mm Left
	3" Back	76 mm Back
	0" Right	0 mm Right

### CAVITY DIMENSIONS

Height	4"	102 mm
Width	17.5" [16.75"]	445 mm [425 mm]
Depth	18.3" [18.15"]	465 mm [461 mm]

### SHIPPING SIZE

Cube (LxWxH)	38 X 34 X 32"	965 X 864 X 813 mm
Shipping Weight	205 lbs.	93 kg
Freight Class	110	
Point of Origin	Sturgeon Bay, Wisconsin, USA	

\*Left Side= non-control side of the unit. Measurements above are for noncombustible surfaces.

For combustibile surface, left (non-control) side needs a minimum 7" [178 mm] clearance for any combination of units up to three cook cavities.

\*\*Ovention, Inc. reserves the right to make technical improvements