



Project _____

Item No. _____

Quantity _____

The Single MiLO[®]-14 Oven



The Single MiLO[®]-14 Oven

**Air + IR = Superior Product
Quality food products.
One-of-a-kind artisan finish.**

EXTERIOR CONSTRUCTION

- 430 Stainless Steel exterior
- Counter-mount or with 4-inch adjustable legs (included)
- Whisper quiet operation at 66dB
- Front-facing full-color 7-inch touchscreen display

INTERIOR CONSTRUCTION

- Fully insulated 304 stainless steel cook chamber
- Patented linear air impingement heating technology with variable-speed recirculation system
- Patented independently controlled top and bottom infrared emitters
- Illuminated oven cavity while in operation
- Easy to clean design with dishwasher safe trays

STANDARD FEATURES

- Integral recirculating catalytic converter for UL listed ventless operation
- Intuitive touch controls can store 1000+ recipes with dozens of standard icons and full color product images
- Industry leading online menu & recipe software allows for easy menu creation and management via USB drive
- FlexTemp dynamic temperature management allows $\pm 25^{\circ}\text{F}$ between cook cycles
- Self-diagnostics for monitoring oven components and performance
- Smart Voltage Sensor Technology* manages variances in 208 & 240V operations
- High visibility countdown timer
- $\frac{1}{4}$ sheet pan or 14-inch pizza capacity
- External easy-access air filtration
- Programmable cavity venting for humidity management
- 6-ft cord and plug
- 1 year Parts and Labor Warranty

STANDARD OPTIONS & ACCESSORIES

- Stainless steel exterior standard - (11) alternate colors available
- Dozens of accessory options available

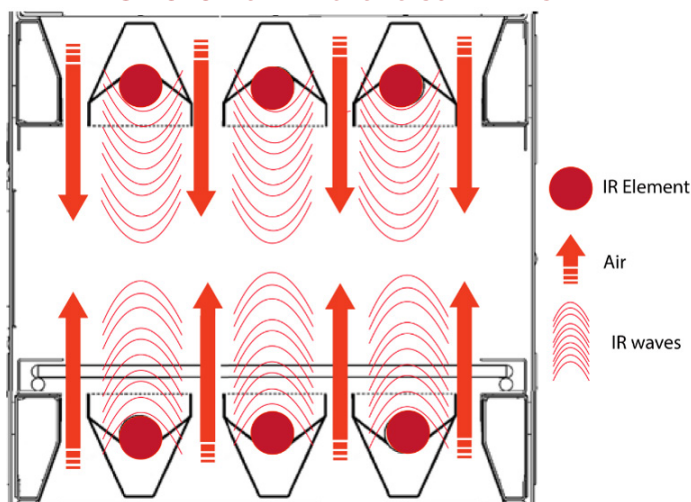
CERTIFICATIONS



This product conforms to the ventilation recommendations set forth by NFPA96 using EPA202 test method.

* Smart Voltage Sensor Technology does not compensate for lack of or over voltage situations. It is the responsibility of the owner to supply voltage to the unit according to the product specifications.

† Ventless certification is for all food items except for foods classified as "fatty raw proteins." Such foods include bone-in, skin-on chicken, raw hamburger meat, raw bacon, raw sausage, steaks, etc. If cooking these types of foods, consult local HVAC codes and authorities to ensure compliance with ventilation requirements. Ultimate ventless allowance is dependent upon AHJ approval, as some jurisdictions may not recognize the UL certification or application. If you have questions regarding ventless certifications or local codes, please email connect@ventionovens.com.



VENTLESS OPERATION DETAILS

- UL (KNLZ) listed for ventless operation
- EPA 202 test: Qty (230) 12" pepperoni pizzas, 525°F, 8 hrs
 - Results: 1.81 mg/m³
 - Ventless Requirement: < 5.00 mg/m³
- Internal catalytic filtration to limit smoke, grease, and odor emissions

**ASK ABOUT OUR ANTI-MICROBIAL POWDER COAT
STANDARD FOR ALL AVAILABLE COLORS**

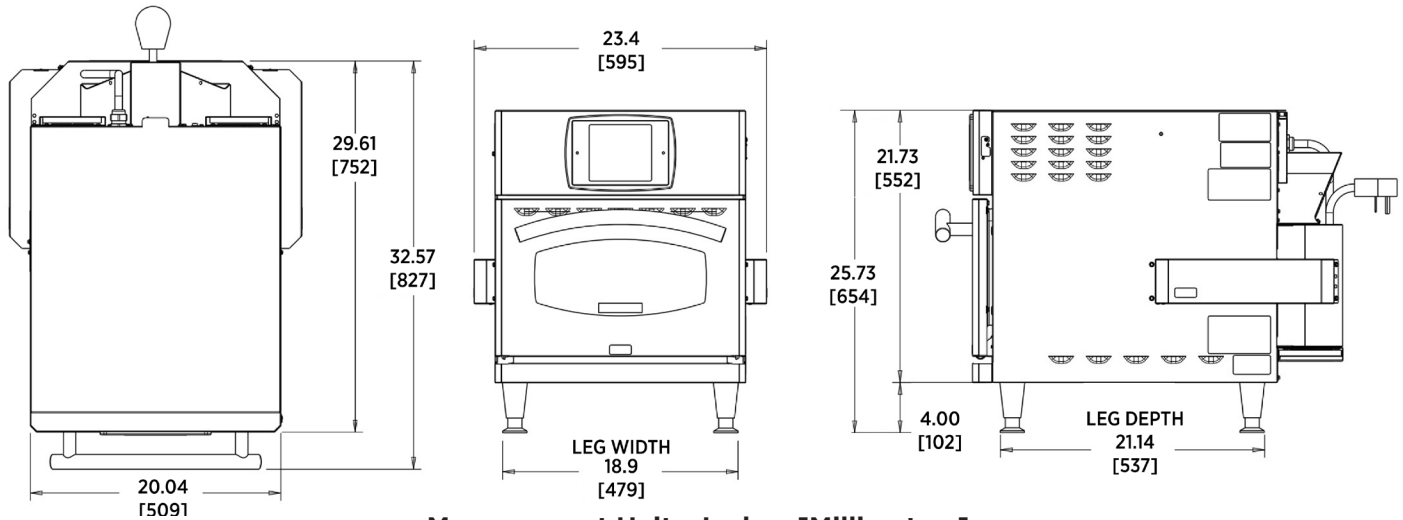


See ventionovens.com/patents for a complete list of applicable U.S. and international patents







The Single MiLO[®]-14 Oven



Measurement Units: Inches [Millimeters]

DIMENSIONS		
HEIGHT with optional 4" legs	25.7"	654 mm
WIDTH	23.4"	595 mm
DEPTH	32.6"	828 mm
WEIGHT	163 lb.	74 kg
CAVITY DIMENSIONS		
HEIGHT	4"	102 mm
WIDTH	15.5"	394 mm
DEPTH	14.3"	363 mm
MINIMUM CLEARANCE		
LEFT/RIGHT/BACK	0"/0"/0"	0/0/0 mm
SHIPPING INFORMATION		
CUBE (LxWxH)	38" x 34" x 38"	965 mm x 864 mm x 965 mm
SHIPPING WT.	205 lb.	93 kg
FREIGHT CLASS	110	
POINT OF ORIGIN	Sturgeon Bay, WI, USA	

ELECTRICAL SPECIFICATIONS			
US 1ph	208-240VAC, 60Hz, 25/29 Amps, UL, NEMA 6-30 and 6ft cord, nominal - standard	Max Input: 6.8kW Heater Input: 6.4kW	 NEMA 6-30
			 NEMA 15-50
US/CANADA 3ph	208-240VAC, 60Hz, 25/29 Amps, cULus, NEMA 15-50 and 6ft cord, nominal		

SHORT FORM SPECIFICATIONS

Provide MiLO[®]-14 Oven, electric, ventless, countertop, ventless, single decks variable linear impingement airflow with independently controlled top and bottom infrared emitters, store over 1000 recipes, internal catalytic converter, programmable vent for humidity control, ¼ sheet pan or 14" pizza capacity per deck, touch screen display, built-in self-diagnostics, USB menu upload, 430ss exterior, 304 ss interior, 4" adjustable legs, Made in USA, cULus, UL EPH Classified, ANSI/NSF 4.

Due to periodic changes in designs, methods, procedures, policies and regulations, the specifications contained in this sheet are subject to change without notice. While Ovention[®] exercises good faith efforts to provide information that is accurate, we are not responsible for errors or omissions in information provided or conclusions reached as a result of using the specifications. By using the information provided, the user assumes all risks in connection with such use.

